

© Copyright reserved. This drawing may not be reproduced or amended without prior written permission.

Detail issued for guidance only. Designer's approval required.

Site construction sequencing should be assessed before the appropriate Visqueen Standard Detail is selected and approved by the designer.

All Visqueen materials must be installed in strict accordance with the manufacturer's instructions. Refer to the current Visqueen datasheets.

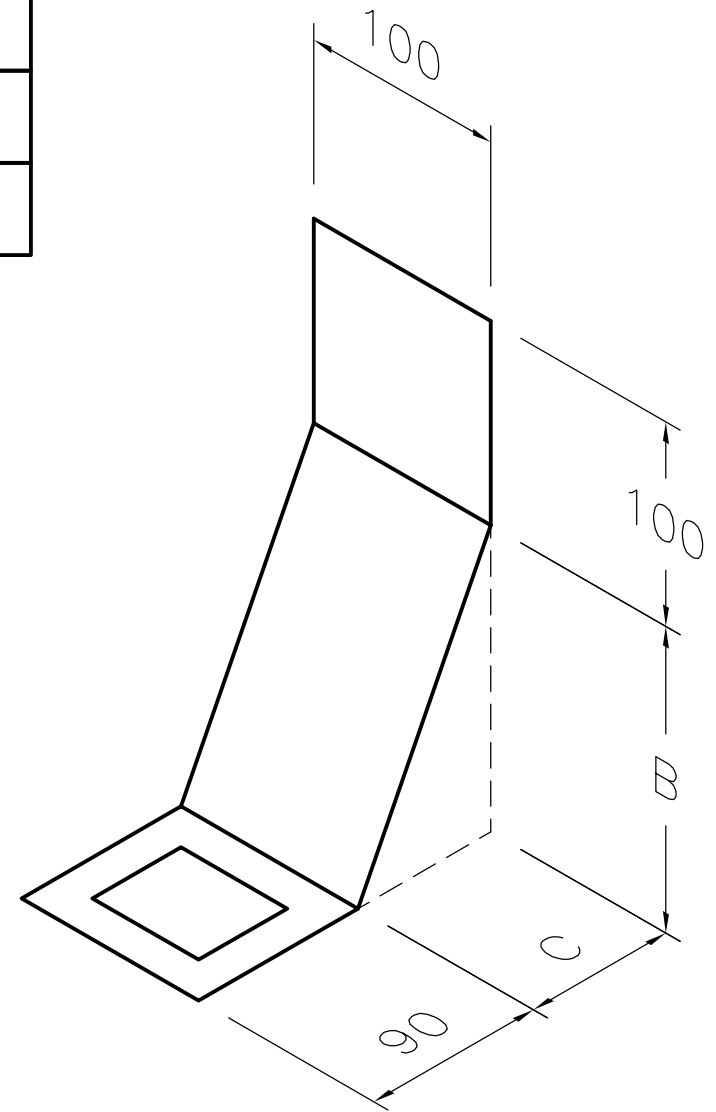
DPCs and DPC cavity trays to be installed in accordance with BS8215:1991 and PD6697:2019.

As standard, stainless steel Rigid Preformed Units and DPC Joint Supports are supplied without fixing holes and to BS EN 10088 grade 1.4301 (BS 1449 grade 304).

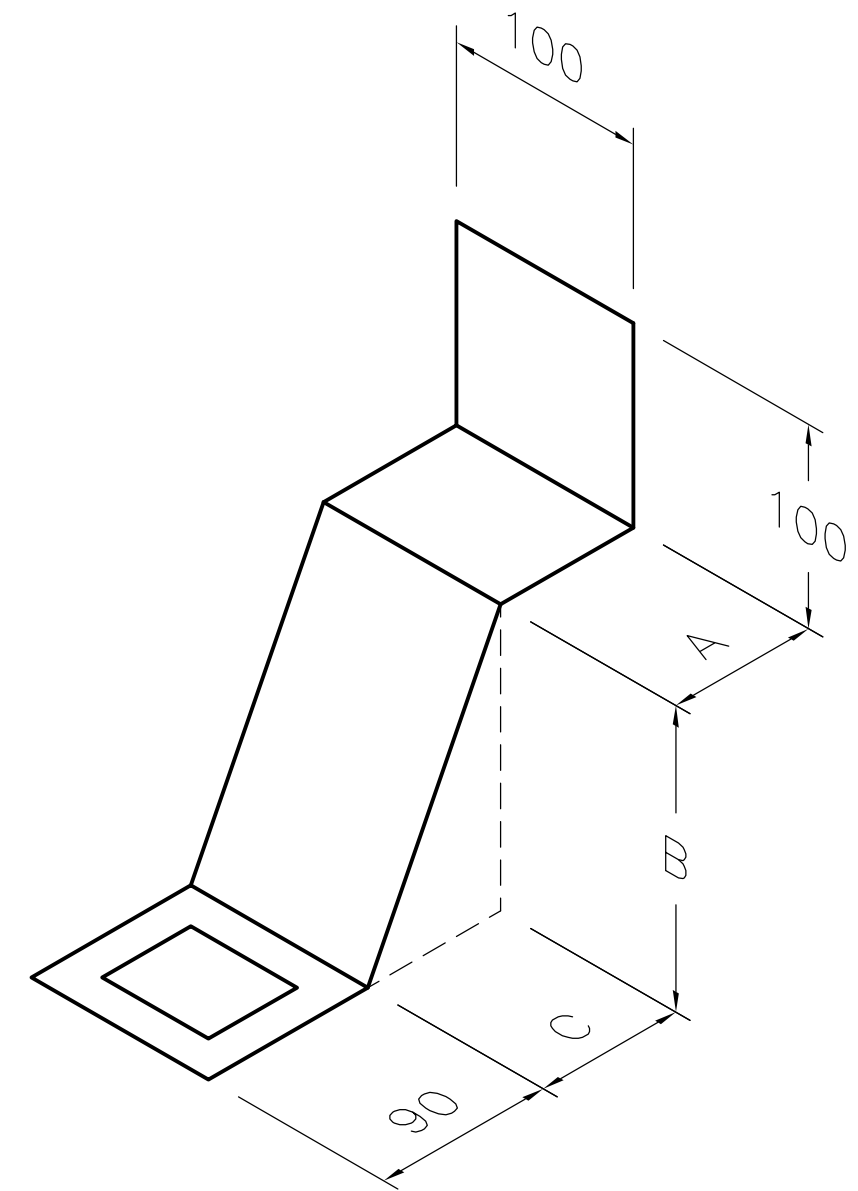
Do not scale, use figured dimensions only. All figured dimensions are in mm.

Support dimensions (mm)	
Ref :	
A	
B (Rise)	
C (Cavity)	
Quantity	

Please select the required profile



DPC Joint Support for surface fixed cavity tray without cavity insulation ledge



DPC Joint Support for surface fixed cavity tray with cavity insulation ledge

Standard Detail



www.visqueen.com

Project No :

Drawing No : PFU-NC-660

Scale : NTS

Date :

Revision Status : 0



**NON-COMBUSTIBLE
PREFORMED UNITS**

DPC Joint Support - Typical Profiles.

VISQUEEN
0333 202 6800
www.visqueen.com
enquiries@visqueen.com